



48 x 48mm

Features :

- Single Set Point
- LED Indications : Relay ON
- 2 C/O DPDT

Display Specifications

Display	3 digits, 7 segment LED
LED Indications	Relay ON

Input Specifications

Accuracy	Setting : $\pm 0.05\%$ of set time or 50msec Repeat : $\pm 0.05\%$
Start Input	Gate / Pulse (Programmable)

Output Specifications

Relay Contact	2 C/O DPDT
Contact Rating	5A @ 230V AC

Functional Specifications

Modes	ON delay, Interval, Cyclic ON first, Cyclic OFF first
Time Ranges	0 - 9.99sec 0 - 99.9sec 0 - 999sec 0 - 9:59min:sec 0 - 99.9min 0 - 999min 0 - 9:59hr:min 0 - 99.9hr 0 - 999hr
Resolution	0.01sec
Counting Direction	Down
Set point	1
Time Setting	By keys on front panel
Reset	Front, Remote, On power interruption
Memory	No
Configuration Lock	No

Auxiliary Supply Specifications

Supply Voltage	90 to 270V AC (50 / 60Hz), -15% to 10% tolerance
Power Consumption	4VA max

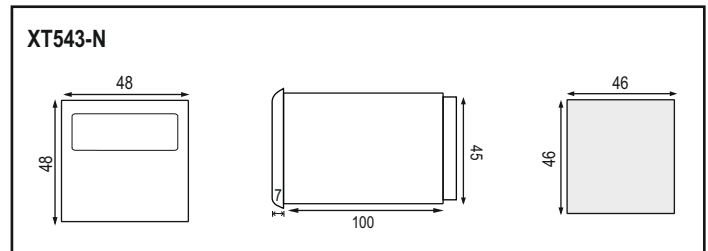
Environmental Specifications

Temperature	Operating : 0 to 50°C (32 to 122°F) Storage : -20 to 75°C (-4 to 167°F)
Humidity (non - condensing)	95% RH

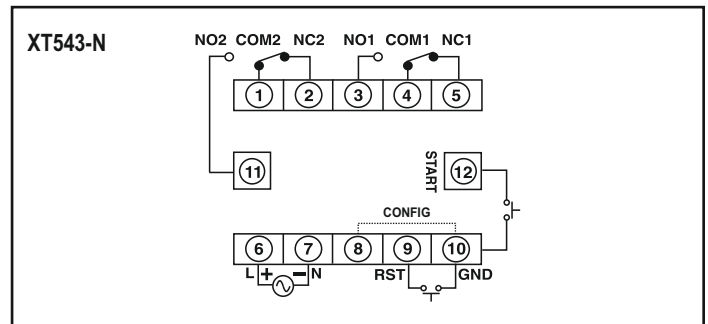
Mechanical Specifications

Mounting	Panel Mount
Weight	160gms

Dimensions

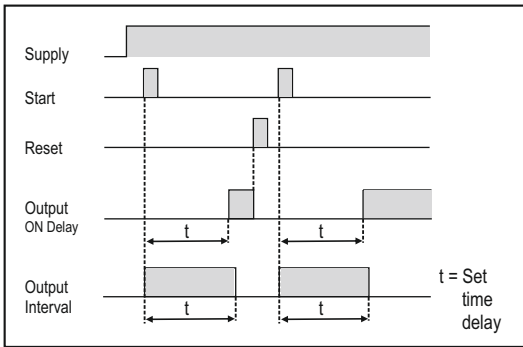


Terminal Connections

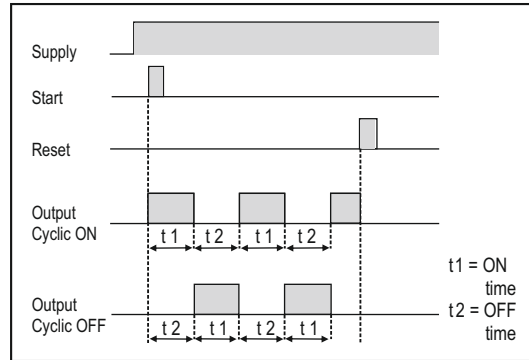


TIMING DIAGRAMS

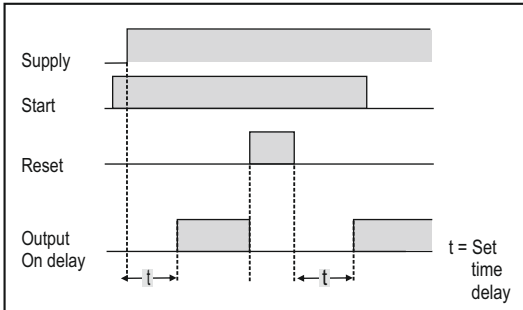
1. On delay, Interval modes :



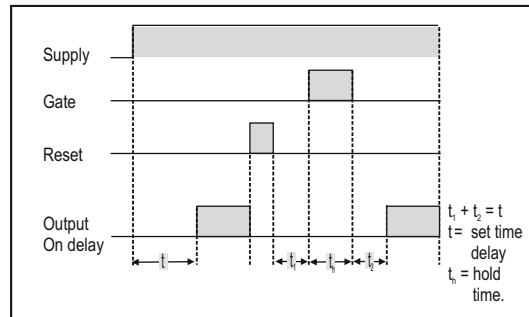
2. Cyclic ON first, Cyclic OFF first modes :



Typical application of Continuous start and reset in On delay mode :



Typical application of Gate start :



Ordering Information

Product Code	Supply Voltage
XT543-N	90 to 270V AC / DC